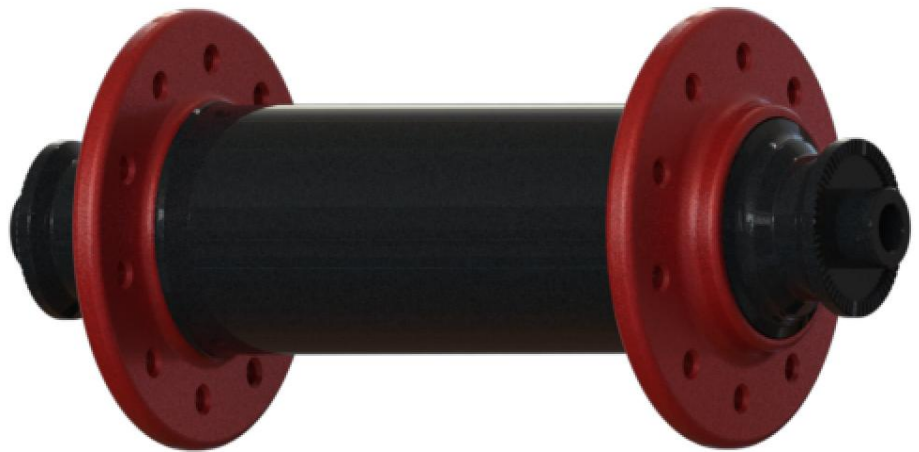


Aivee

Edition one JBend Hubs

User's manual



INTRODUCTION

The range of Aivee state of the art equipments is the result of the research and development department studies supervised by a team of enthusiasts, always attentive to the needs of users. Thus, the Aivee signature is the guarantee for quality on all roads, tracks and paths.


Aivee is based on three fundamentals: emotion, innovation and accessibility. Our challenge is to encourage emotion and give pleasure to the greatest number of athletes and enthusiasts. Our goal is uncompromising, render a premium brand accessible, affordable products, leading the way to adventure!

PRESENTATION

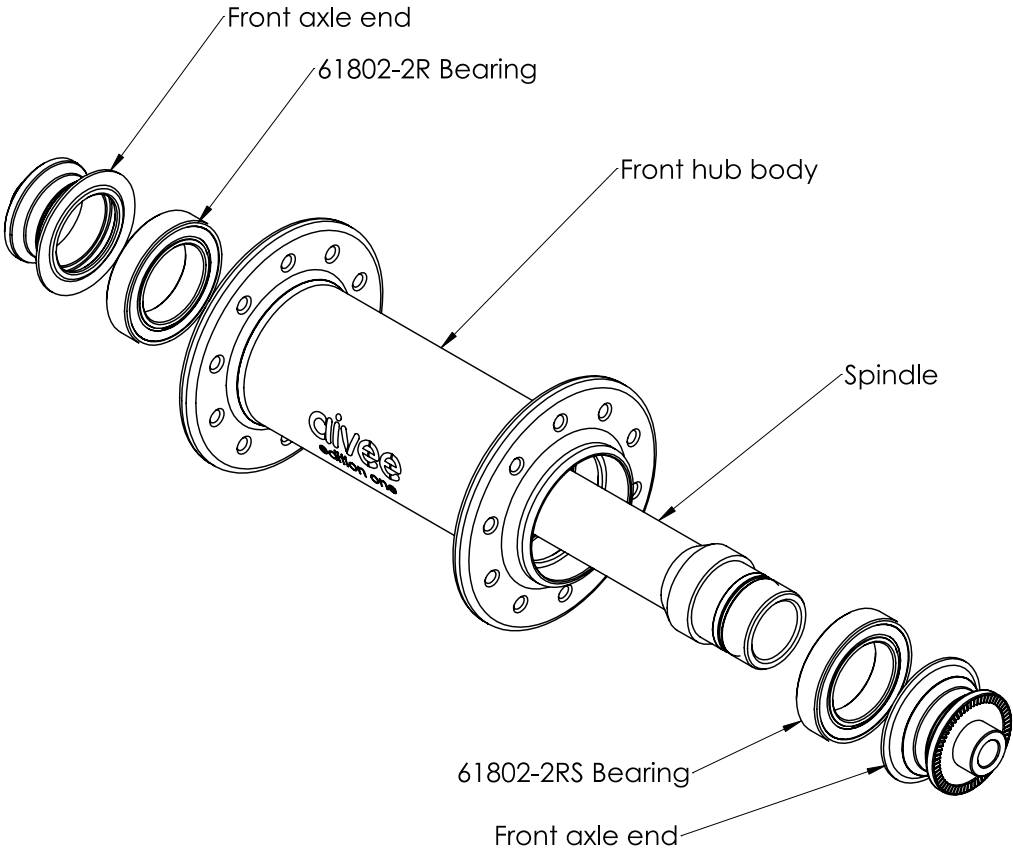
With the Aivee Edition one , we wanted to create a hub with a very simple design without neglect the strength of the hub. Edition one hubs are very robust and they also have the Aivee finish. Edition one hubs have watertight bearings and are lubricated with a grease specially developed for our hubs. Edition one rear hubs have an increased number of engagement points, thanks to 3 pawls, they have 27 engagement points. With big size flanges, these hubs are also very stiff. The Aivee Edition one range is a hub range made for road bike fanatics who search reliable equipment, with a simple design and Aivee finish.

MOUNTING

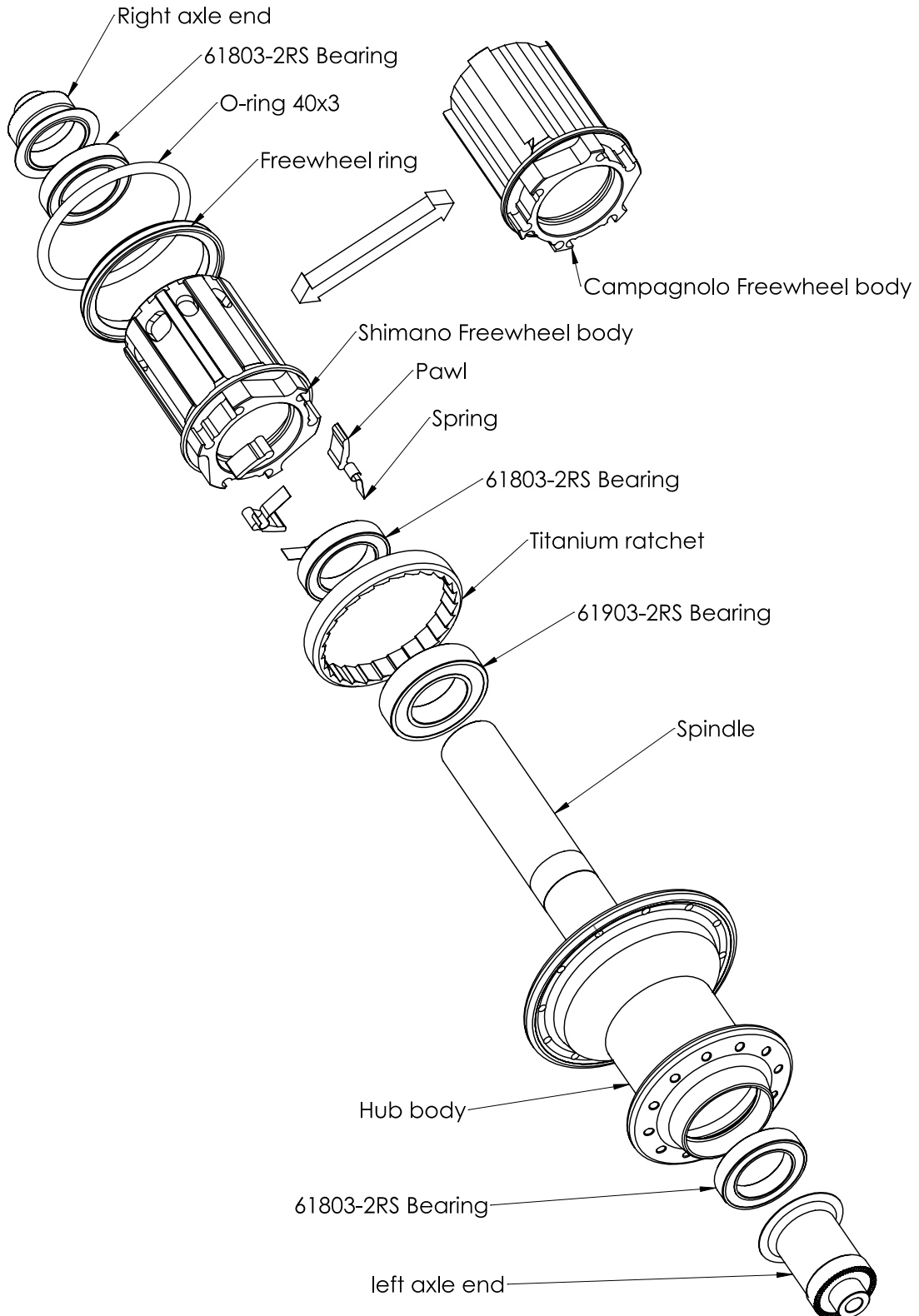
Aivee Edition one hubs are available with 16, 20 or 24 spoke holes for the front hub and 20, 24 or 28 spoke holes for the rear hub. The spoke tension must not exceed 1200N. Aivee Edition one rear hubs are designed to work with a cassette which has a spider.

 Edition one road hubs are delivered in kit due to the straight pull spokes. Assembly has to be done with appropriate tools.

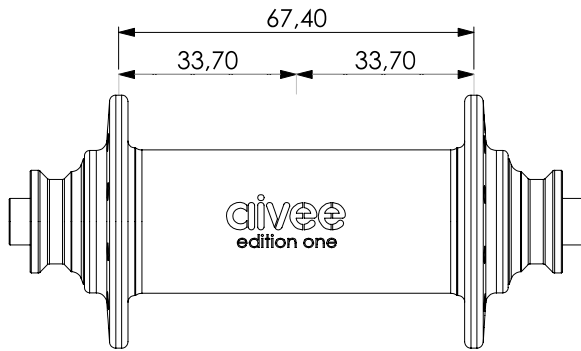
FRONT HUB



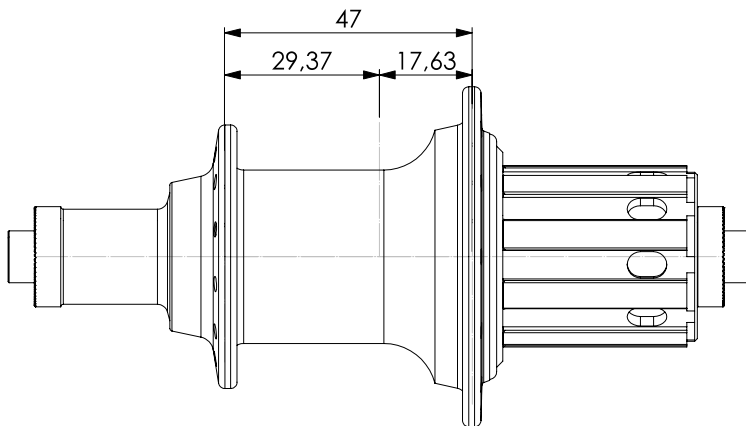
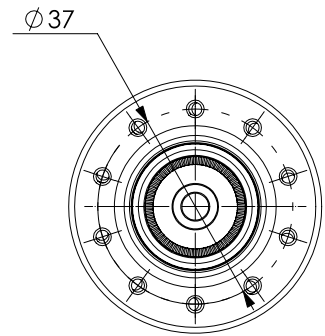
REAR HUB



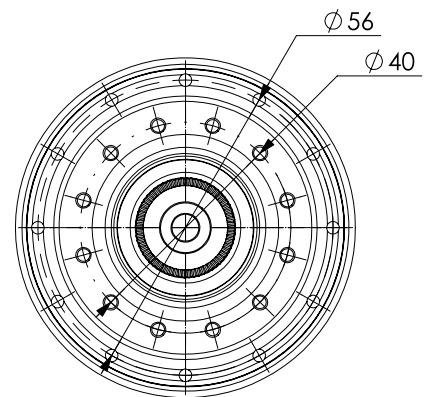
GEOMETRY / WEIGHT



Weight :
86 g



Weight :
Shimano
177 g
Campagnolo
184g



CONVERSION

The Aivee Edition One JBend rear hubs are compatible with both Shimano and Campagnolo standards with two freewheel body kits available. The conversion between all of these standards has been designed to simplify this task.

To change the freewheel body, remove an axle end mounted on the hub by pulling it. Remove the cassette body by pulling it too. Assemble the spindle and the new freewheel body with the hub body. Then, put the axle end until it bottoms out.

MAINTENANCE

Aivee Edition One JBend hubs are designed to resist. With a little of maintenance, they will be more efficient. When you are accumulating muddy rides, don't hesitate to clean your hub.

Front Hub

To clean the front hub, you must remove easily axle ends from the hub by pulling it. Then, remove the mud and the dust that can bother the bearing functioning. Grease elements and assemble the hub.

Rear Hub

To clean the rear hub, remove an axle end by pulling it. Remove the cassette body by pulling it. Then clean the ratchet and pawls if needed. Lubricate with oil the ratchet and pawls (viscosity: more than 150 cSt), assemble the cassette body into the hub body. Then put axle ends.



SAFETY WARNING

This user manual contains important and useful information regarding the installation, operation and maintenance. Please read it carefully and follow the instruction of installation as detailed in this user guide.

If you have any doubt regarding your ability in installing, please consult your AIVEE dealer and seek the assistance of a professional bicycle mechanic.

Incorrect installation or use may impair performance and could result in a dangerous situation leading to serious injury or death. Components that have experienced excessive wear, deformation, impacts or any other damage, need immediate professional inspection and replacement by a new AIVEE component.

MAINTENANCE

Do not clean your hub with a high-pressure cleaner, this could cause water infiltration and the damaging of some components.

Inspect your AIVEE product before each ride check the dent and its looseness.

Parts after fall or crash should be inspected by professional bicycle mechanic.

WARNING

Continuing to use damaged parts may lead to loss of control and could cause serious injury or death.

Cyclists should inspect their bicycle and parts regularly. He should check bolts and other fasteners periodically for tightness, in order to determine the need for service and to detect any damage that may have occurred from normal use.

For more information, please contact us.

Aivee

Aivee S.A.S

Les Quatre Chemins de l'Oie BP 16-85140 Sainte Florence

Phone: (33) 2 51 66 10 29 - fax: (33) 2 51 66 08 01

E-mail: contact@Aivee.fr Web: www.Aivee.fr